



# eSCAPE MOUNTING OPTIONS

---



888-993-3757



# Mounting Options



Our diverse mounting options allow you to create a safer space and increase privacy in nearly all work environments.

## Table of Contents

**Freestanding Mount..... 2**

**Edge Clamp with Knob.....3**

**Desktop Mount/  
Panel Top Mount.....4**

**Edge Mount.....5**

**Double Edge Mount.....6**

**Removable Panel Mount.....7**

**Reviewing All Mounts.....8**



# Freestanding Mount

---



## Key Information

---

- Sits on top of the worksurface
- Removable for easy relocation
- Easy Assembly



## Details

---

\*This freestanding mount stands alone on top of the worksurface and does not have to be screwed into the worksurface or screen. Easily relocated where ever needed.

\*Base dimensions: 2"W x 7 3/4"L



# Edge Clamp with Knob

---



## Key Information

---

- Mounts to edge of the worksurface
- Removable for easy relocation
- Adjustable knob

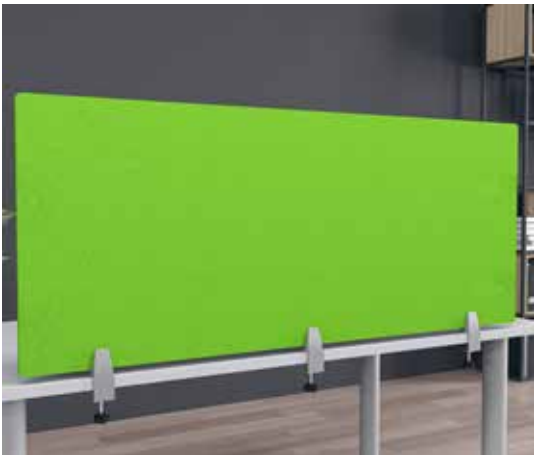


## Details

---

\*The edge clamp with knob is a removable mount which clamps to the edge of a worksurface and is secured by tightening the knob. There is no need to screw into the worksurface or screen. The top piece can also be rotated 90 degrees and mounted.

\*Max Opening: 1 9/16"



# Desktop Mount & Panel Top Mount

---



## Key Information

---

- Mounts to top of the worksurface or the top of the cubicle panel
- Permanent mount
- Easy Assembly



## Details

---

\*The desktop/panel mount is secured to the top of the worksurface or top of the cubicle panel by using two screws to fasten to the worksurface/panel for a permanent solution.

\*If using as a panel extender, the panels must be at least 1 1/2" thick.



# Edge Mount

---



Alternate removable mounting option ▶

## Key Information

---

- Mounts to edge of the worksurface
- Screws into worksurface for a permanent solution
- Alternate removable mounting option available



## Details

---

\*The edge mount is a permanent mount which clamps to the edge of the worksurface and is secured by screwing into the bottom of the worksurface. This mount can also come with an alternate attachment option using clamp screws to allow the mount to be removable.

\*Mount Opening: 3/4"



# Double Edge Mount

---



Alternate removable ▶  
mounting option



## Key Information

---

- Mounts between two worksurfaces
- Screws into worksurface for a permanent solution
- Alternate removable mounting option available

## Details

---

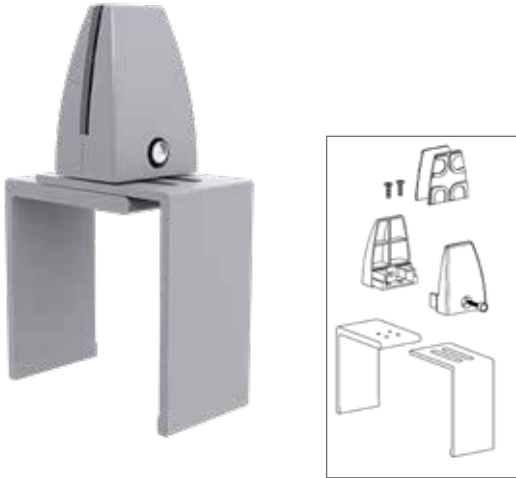
\*The double edge mount is a permanent mount between two worksurfaces clamping at the edges. It is secured by screwing into the bottom of the worksurface. This mount can also come with an alternate attachment option using clamp screws to allow the mount to be removed.

\*Mount Openings: 3/4"



# Removable Panel Mount

---



## Key Information

---

- Clamps to top of cubicle panel
- Adjustable to thickness of panel
- Able to detach
- Easy Assembly



## Details

---

\*The panel mount is a removable mount which clamps to the top of the cubicle panel and is secured by tightening base plate over the panel and screwing top piece to base plate.

\*Clamp Opening: min- 2 1/2" max- 3 1/2"







**Edge Clamp with Knob (Removable)**

-Mounts to edge of the worksurface and is secured by tightening the knob to the worksurface.

\*Max Opening: 1 9/16"



**Desktop Mount & Panel Top Mount (Permanent)**

-Mounts to top of the worksurface or the top of the cubicle panel

\*If using as a panel extender, the panels must be at least 1 1/2" thick.



**Edge Mount**

-Mounts to edge of the worksurface using screws (permanent and temporary options available)

\*Mount Opening: 3/4"



**Double Edge Mount**

-Mounts between two worksurfaces (permanent and temporary options available)

\*Mount Openings: 3/4"



**Removable Panel Top Mount**

-Clamps to the top of the cubicle panel. Able to adjust the width of the clamp.

\*Clamp Opening: min- 2 1/2" max- 3 1/2"



**Freestanding Mount**

-Sits on top of the worksurface

\*Base dimensions: 2"W x 7 3/4"L

